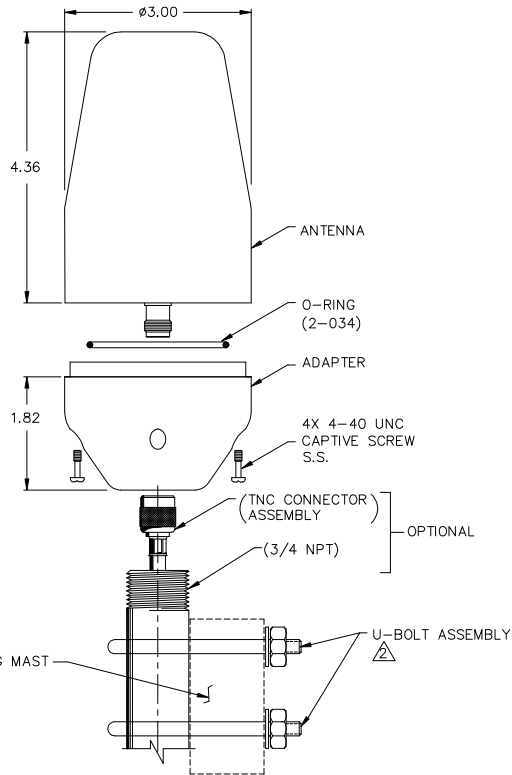


PROPRIETARY NOTICE: This document contains proprietary information of AAT Inc. neither the document nor said proprietary information shall be published, reproduced, copied, disclosed or used for any purpose other than consideration of this document without the express written permission of a duly authorized representative of said Company.

REVISIONS			
SYM	DESCRIPTION	DATE	APPROVED
1	ENG. RELEASED	07/14/03	

NOTES: UNLESS OTHERWISE SPECIFIED

- LOGO OPTIONAL.
- U-BOLT ASSEMBLY WILL ACCEPT .75-1.00 OD PIPE, TORQUE NUTS TO 4-6 IN/LBS.
- TOLERANCES: .XX = ±.03
.XXX = ±.010



SPECIFICATION:

FREQUENCY: 1616-1626 MHz
 POLARIZATION: RIGHT HAND CIRCULAR
 AXIAL RATIO: 3 dB MAX
 RADIATION COVERAGE: +.04 dBic 0° = 0°
 +1.4 dBic 0° < θ < 45°
 -0.25 dBic 75° ≤ θ < 82°
 IMPEDANCE: 50 OHMS
 VSWR: ≤2.0:1
 POWER HANDLING: 1 WATT
 FINISH: WEATHERABLE POLYMER WHITE
 CONNECTOR: TNC FEMALE
 WEIGHT: 11 OZ
 ALTITUDE: 20,000'
 TEMPERATURE: -40°C TO +85°C

PART NO. DESIGNATION:

AT1621-142X-XXXX-XXX-XX-XX-XX

COLOR _____
 W = WHITE
 CONNECTOR _____
 TNCM = TNC MALE
 TNCF = TNC FEMALE
 BNCM = BNC MALE
 BNCF = BNC FEMALE
 SMAF = SMA FEMALE
 CABLE LENGTH _____
 * 000 = IN INCHES
 MAGNET _____
 NM = NO MAGNET
 GAIN (± 2 dB)
 00 = PASSIVE
 VOLTAGE _____
 00 = PASSIVE

* = OPTION NOT AVAILABLE WITH THIS MODEL

STANDARD MODEL = AT1621-142W-TNCF-000-00-00-NM

DO NOT SCALE THIS DRAWING	DRAWN V1. AHMED	07/14/03				
ALL DIMENSIONS ARE IN INCHES DIMENSIONING & TOLERANCING PER ANSI Y14.5M-1982	CHECKED					
TOLERANCES: .999 - 1.000 .9995 - .9995 FRACT = ±1/32 ANG. = ±1/2°	ENGR		TITLE			
✓ SURFACE ROUGHNESS REMOVE BURRS AND BREAK SHARP EDGES: PART TO BE CLEAN AND OIL FREE	MFG		IRIDIUM ANTENNA, FIXED SITE			
UNLESS OTHERWISE SPECIFIED	APPROVED		SIZE	CAGE CODE	DRAWING NO.	REV
			B	OUVG2	AT1621-142	1
NEXT ASSY	DRAWN IN CAD		SCALE NONE H:\CAD\AT1621\142\AT1621-142R1		SHEET 1 OF 1	