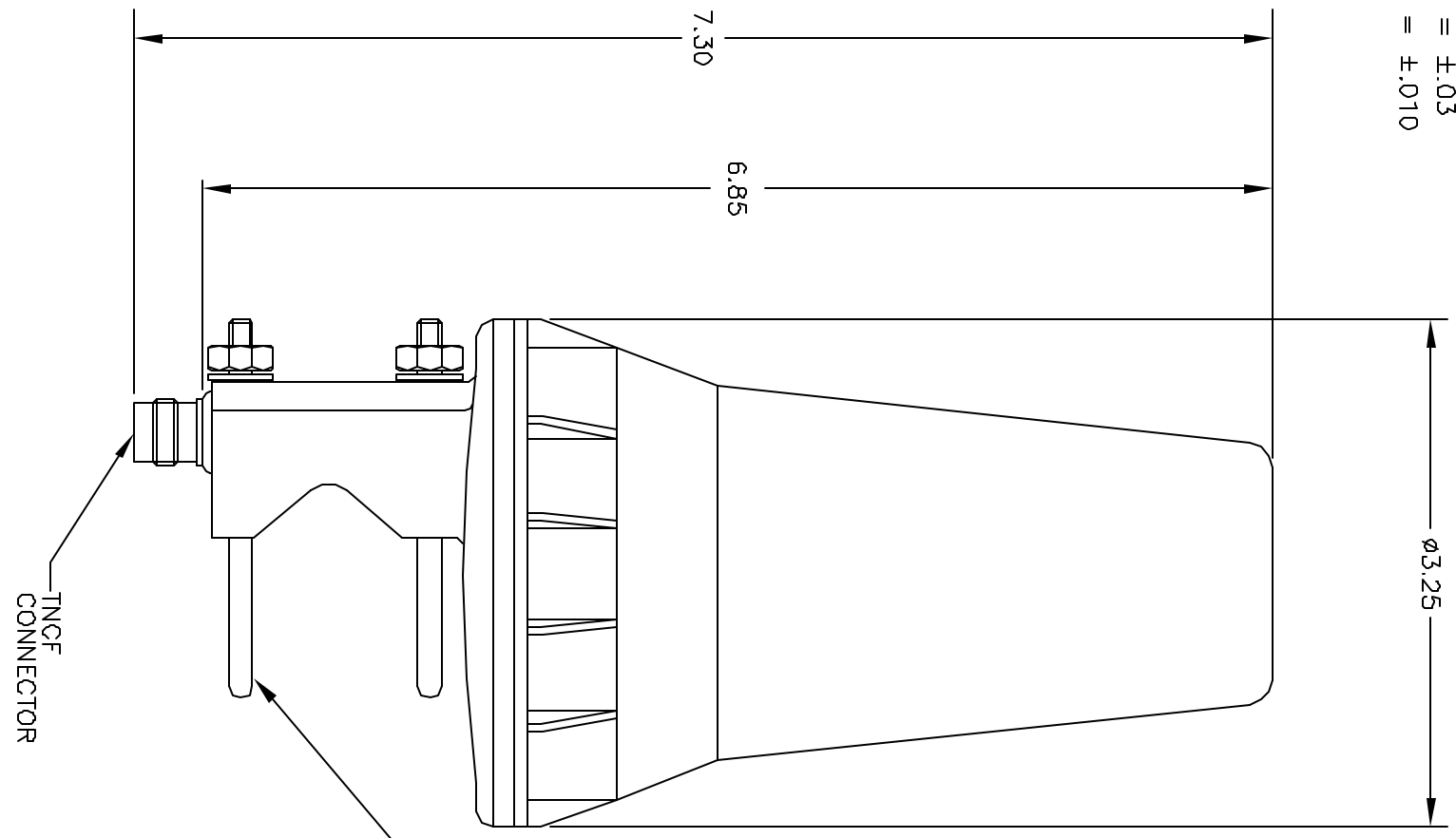


PROPRIETARY NOTICE: This document contains proprietary information of AT&T Inc. neither the document nor said proprietary information shall be published, reproduced, copied, disseminated or used for any purpose other than consideration of this document without the express written permission of a duly authorized representative of said Company.

- NOTES: UNLESS OTHERWISE SPECIFIED.
1. MOUNTING HARDWARE SUPPLIED BY AEROANTENNA.
 2. U-BOLT ASSEMBLY WILL ACCEPT .75-1.00 OD PIPE, TORQUE NUTS TO 4-6 IN/LBS.
 3. LOGO OPTIONAL.
 4. TOLERANCE: .XX = ±.03
.XXX = ±.010



SPECIFICATION:

FREQUENCY: 1616-1626 MHz
 POLARIZATION: RIGHT HAND CIRCULAR
 AXIAL RATIO: 3 dB MAX
 RADIATION COVERAGE: +0.4 dBic $\theta = 0^\circ$
 +1.4 dBic $0^\circ < \theta = 45^\circ$
 -0.25 dBic $75^\circ \leq \theta = 82^\circ$
 IMPEDANCE: 50 OHMS
 VSWR: ≤2.0:1
 POWER HANDLING: 1 WATT
 FINISH: WEATHERABLE POLYMER, WHITE
 CONNECTOR: TNC FEMALE
 WEIGHT: 8 OZ
 ALTITUDE: 20,000'
 OPERATING TEMP: -40°C TO +85°C

PART NO DESIGNATION:

AT1621-73X-XXXX-XXX-XX-XX-XX

- COLOR: W = WHITE, B = BLACK, O = OLIVE DRAB
- CONNECTOR: TNC M/F, TNCM = TNC MALE, TNCF = TNC FEMALE, BNCM = BNC MALE, BNCF = BNC FEMALE, MCXM = MCX MALE, MCXF = MCX FEMALE, SMAM = SMA MALE, SMAF = SMA FEMALE, NTPM = N TYPE MALE, NTPF = N TYPE FEMALE, 0000 = NO TERMINATION, 000 = IN INCHES
- MAGNET: NM = NO MAGNET, IM = INTERNAL, RM = REMOVABLE, HD = HEAVY DUTY
- GAIN (± 2 DB): 00 = PASSIVE, 12 = 12 DB (20 mA), 26 = 26 DB (35 mA), 36 = 36 DB (50 mA), XX = OTHER
- VOLTAGE: 00 = PASSIVE, 05 = 5 VDC, RG = 5-18 VDC, XX = OTHER

U-BOLT ASSEMBLY

MOTOROLA	USED ON
----------	---------

DO NOT SCALE THIS DRAWING
 ALL DIMENSIONS ARE IN INCHES
 DIMENSIONING & TOLERANCING PER ANSI Y14.5M-1982
 TOLERANCES: .XX = ±.04, .XXX = ±.03, FRACT = ±1/32, ANG. = ±1/2°
 ✓ SURFACE ROUGHNESS PER ANSI B46.1
 REMOVE BURRS AND BREAK SHARP EDGES.
 PART TO BE CLEAN AND OIL FREE
 UNLESS OTHERWISE SPECIFIED

DRAWN	A. DEVERA	08/06/98
CHECKED	D. KIM	08/27/98
ENGR	S. VALDES	08/27/98
QA	B. RUBENI	08/27/98
APPROVED	G. SHACHAR	08/28/98
DRAWN IN A/CAD		

AeroAntenna Technology Inc

IRIDIUM ANTENNA,
FIXED SITE

SIZE: B
 CAGE CODE: QUVG2
 DRAWING NO.: AT1621-73
 SCALE: NONE
 AT1621-73D
 SHEET 1 OF 1

REV	DESCRIPTION	DATE	APPROVED
D	SEE ECO 3198	11/25/98	

AT1621-73D